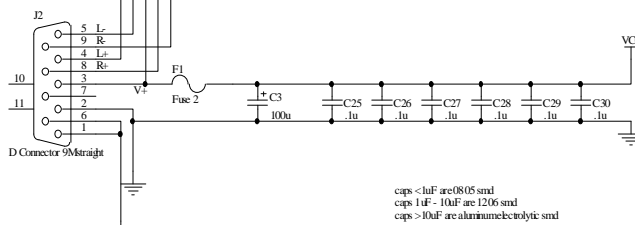
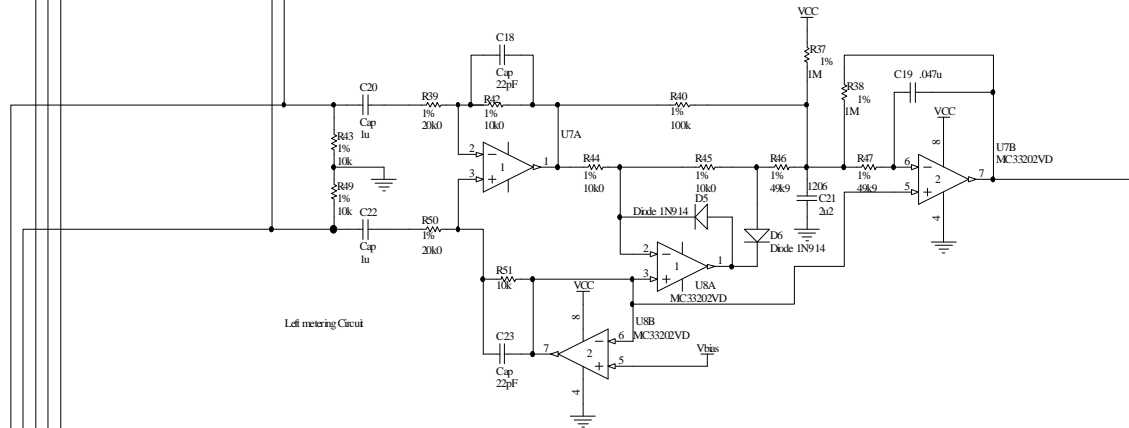
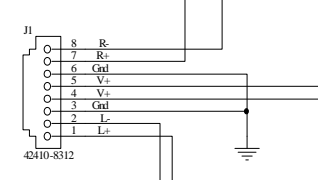
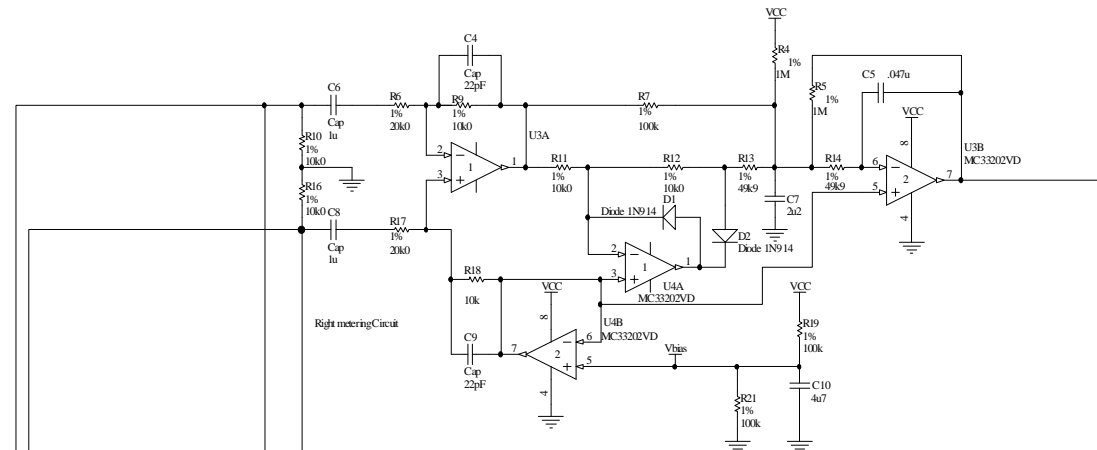


SAS Turret Meter design D revision 1 - Analog in

A
B
C
D

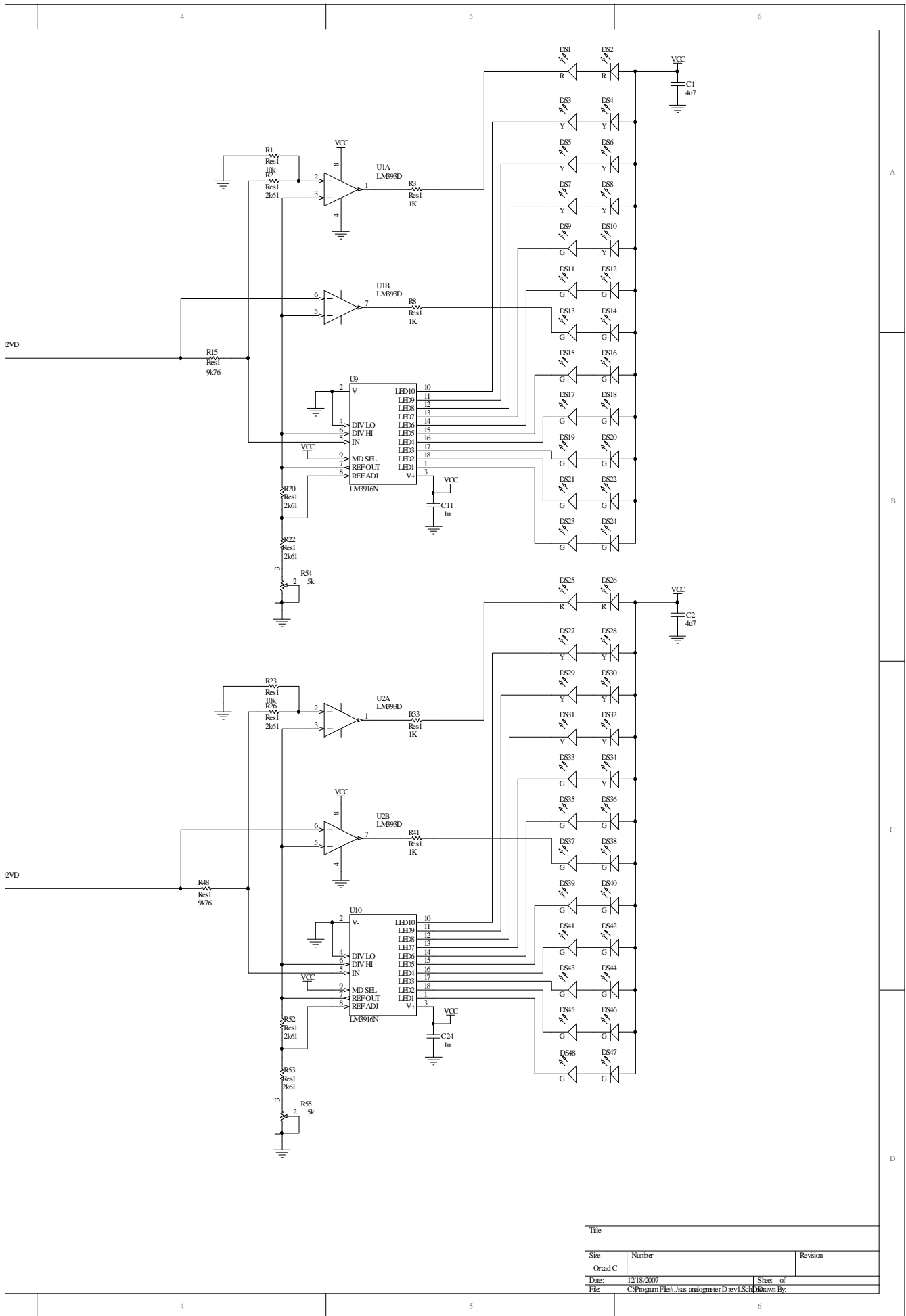


caps <1uF are 0805 smd
caps 1uF - 10uF are 1206 smd
caps >10uF are aluminum electrolytic smd

1

2

3



Title		
Size	Number	Revision
Orcad C		
Date:	12/18/2007	Sheet of
File:	C:\Program Files\..._iss_analogmeter Dev1.Sch	Drawn By: